

1	2	3	4
RevNo	Revision note	Date	Signature Checked

A

A

B

B

C

C

D

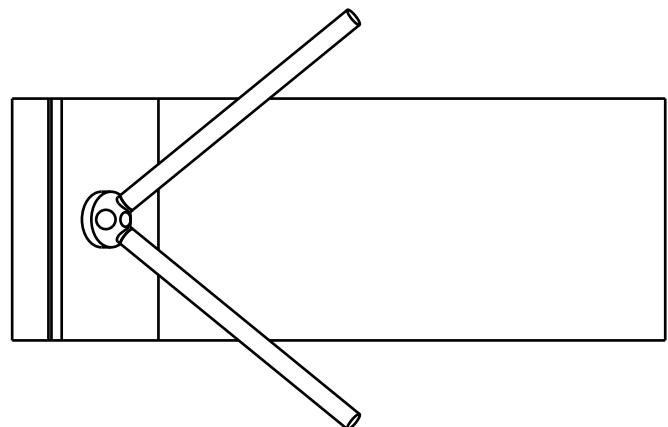
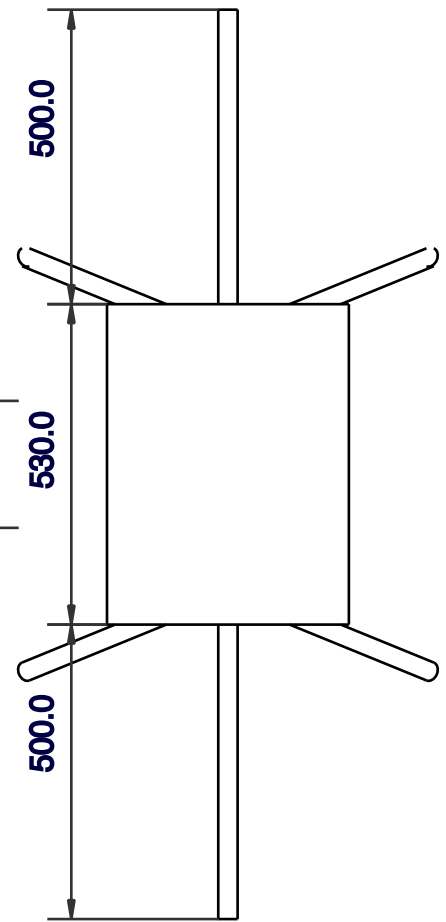
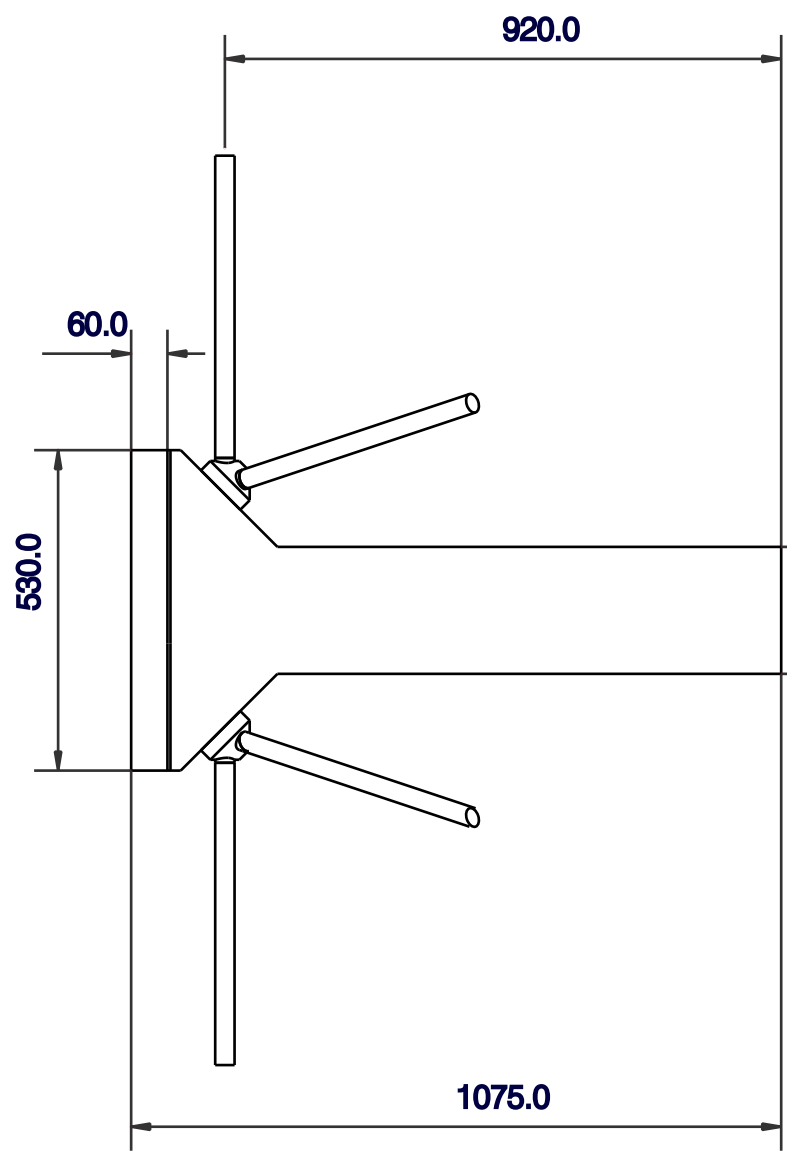
D


E

E

F

F



Itemref	Quantity	Title/Name, designation, material, dimension etc		Article No./Reference	
Designed by	Checked by	Approved by - date	File name	Date	Scale
 Security Technical Services (Pty) Ltd			WAIST HIGH DOUBLE TURNSTILE		
			A-300D-WHT		Edltion