

1	2	3	4
RevNo	Revision note	Date	Signature
			Checked

A

A

B

B

C

C

D

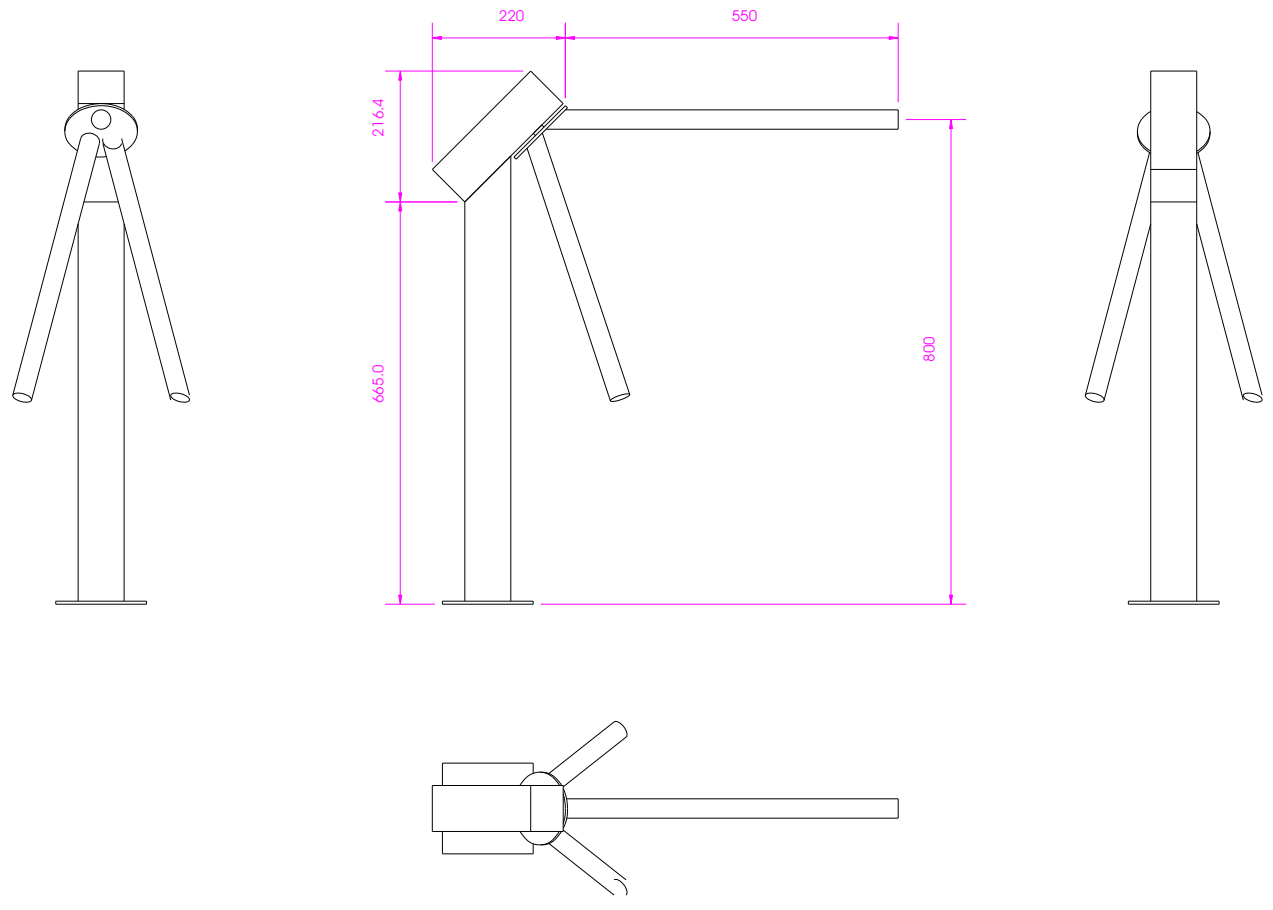
D

E

E

F

F



Itemref	Quantity	Title/Name, designation, material, dimension etc			Article No./Reference	
Designed by		Checked by	Approved by - date	File name	Date	Scale
				<b>SUPERMARKET TYPE TURNSTILE</b> <b>A-SUP-1-TS</b>		
				Edition	Sheet	