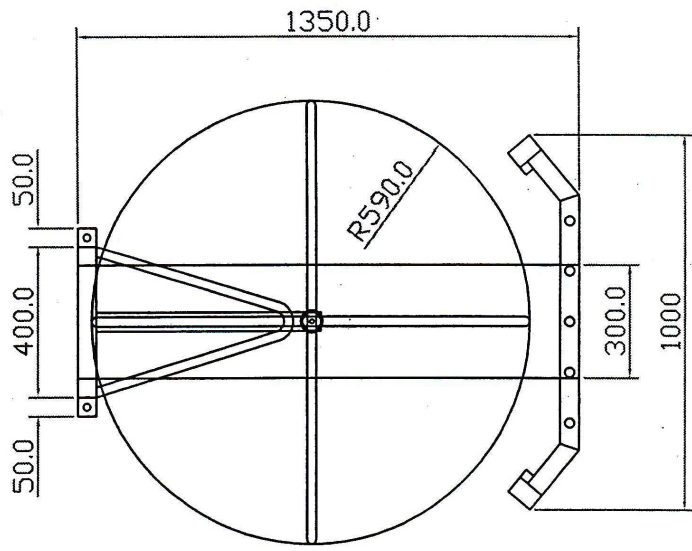
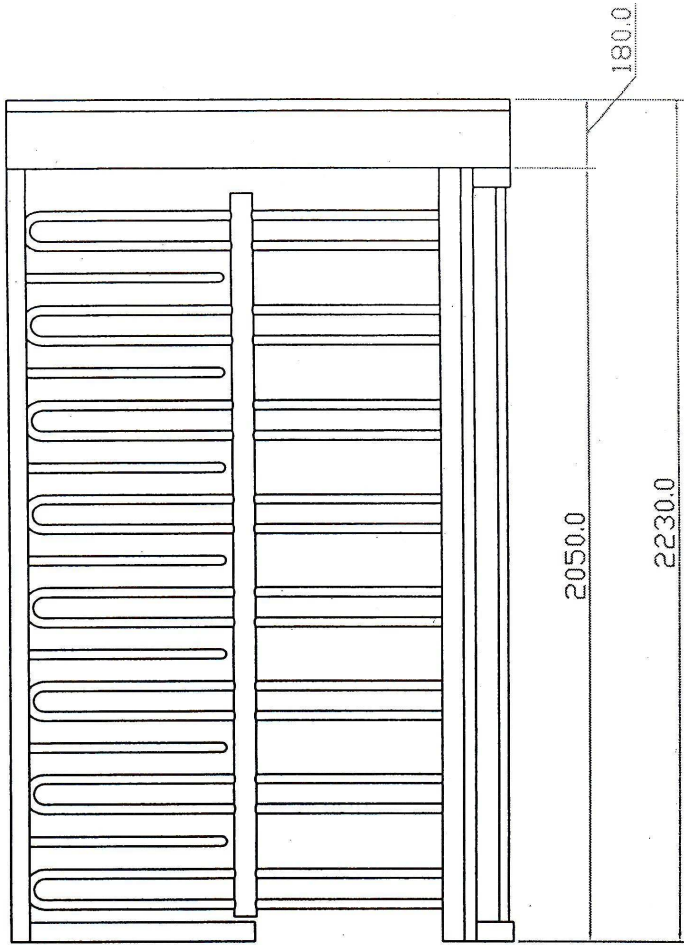


1	2	3	4
RevNo	Revision note	Date	Signature Checked



Itemref	Quantity	Title/Name, designation, material, dimension etc		Article No./Reference	
Designed by Brian Field	Checked by Brian Field	Approved by - date	File name TURNSTILES	Date 28/06/04	Scale N.T.S.
			SINGLE SLIMLINE TURNSTILE		
			A-403S-T	Edition 0	Sheet 1/1

A
B
C
D
E
F

A
B
C
D
E
F