

1	2	3	4
RevNo	Revision note	Date	Signature
			Checked

A

A

B

B

C

C

D

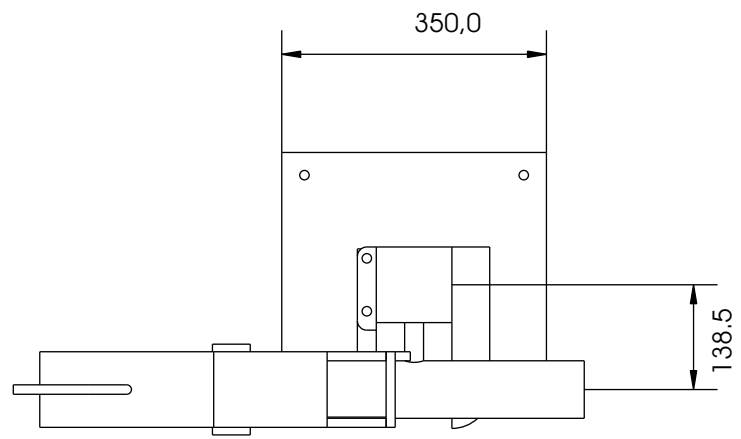
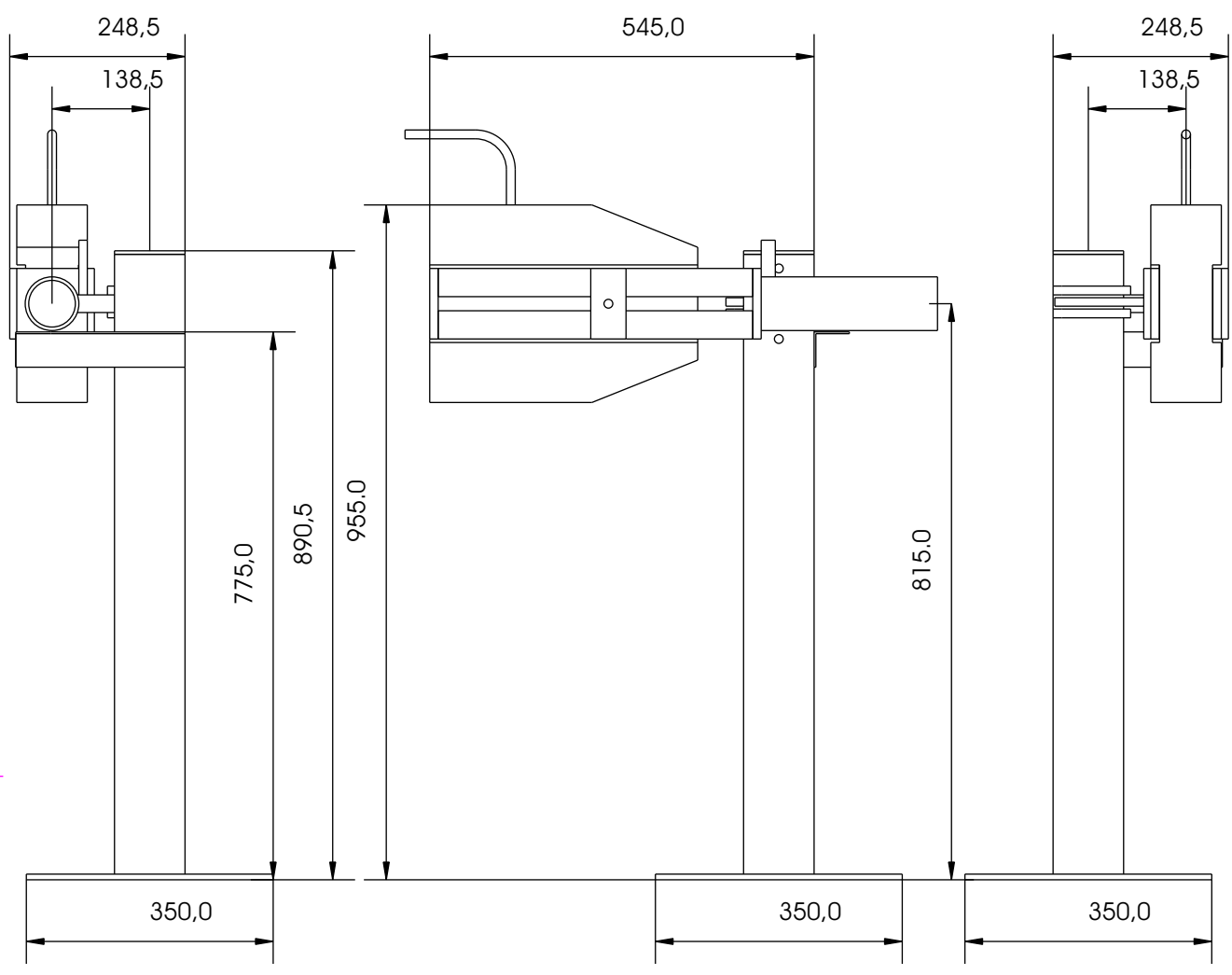
D

E

E

F

F



Itemref	Quantity	Title/Name, designation, material, dimension etc	Article No./Reference
Designed by	Checked by	Approved by - date	File name
			Date
			Scale



MANUAL TRAFFIC BOOM BARRIER

A-01-MB

Edition Sheet

1	2	3	4
RevNo	Revision note	Date	Signature
			Checked

A

A

B

B

C

C

D

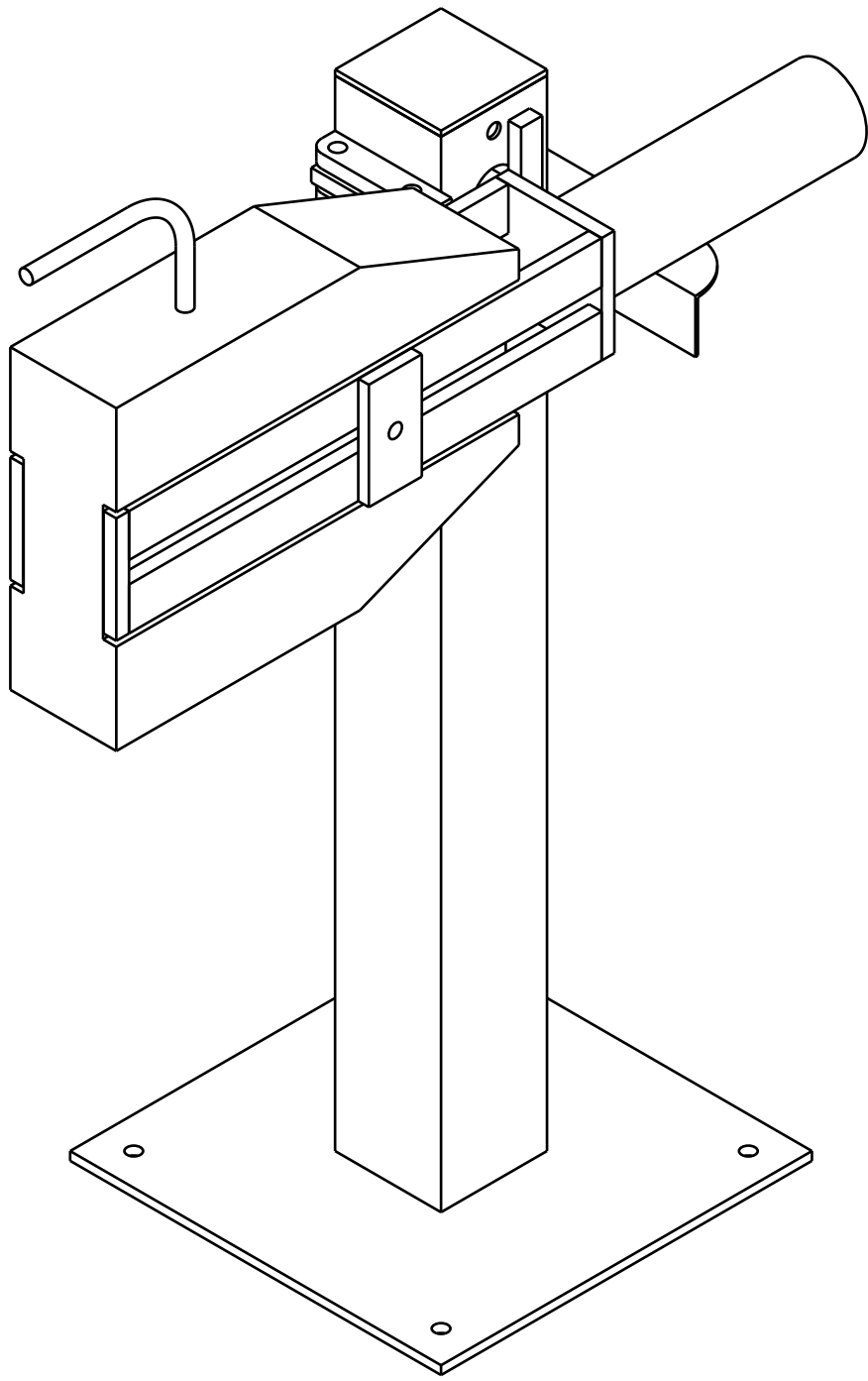
D

E

E

F

F



Itemref	Quantity	Title/Name, designation, material, dimension etc		Article No./Reference	
Designed by	Checked by	Approved by - date	File name	Date	Scale
			MANUAL TRAFFIC BOOM BARRIER		
			A-01-MB	Edition	Sheet