

1	2	3	4
RevNo	Revision note	Date	Signature
			Checked

A

B

C

D

E

F

A

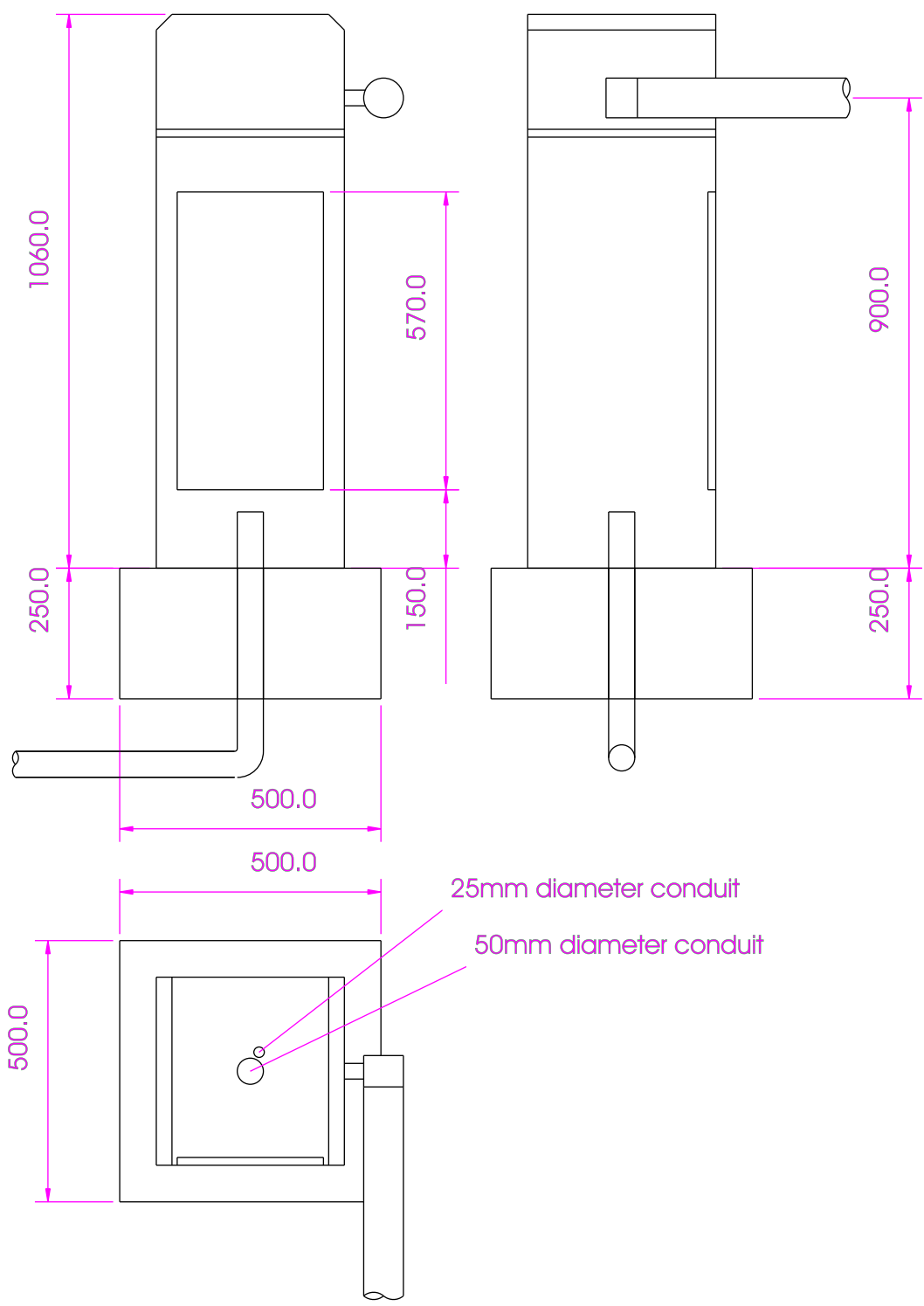
B


C

D

E

F



Itemref	Quantity	Title/Name, designation, material, dimension etc			Article No./Reference	
Designed by		Checked by	Approved by - date	File name	Date	Scale
				SERVO BOOM CONCRETE BASE		
Security Technical Services (Pty) Ltd					Edition	Sheet